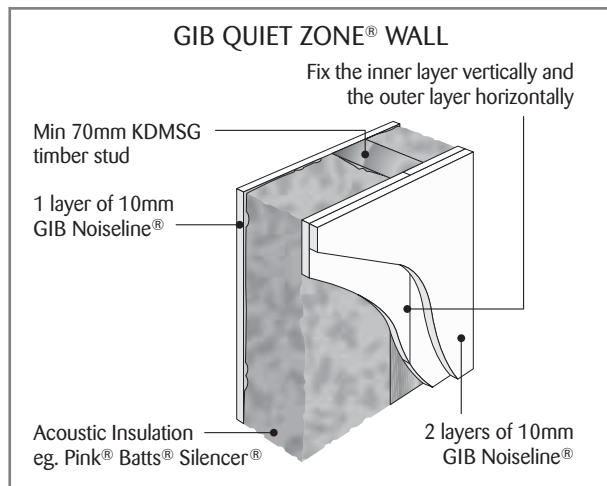


Technical and installation information

GIB QUIET ZONE®

In two layer GIB Noiseline® systems install the inner layer of GIB Noiseline® vertically and the outer layer of GIB Noiseline® horizontally – This ensures that no joints line up creating a potential noise leak.



Upgrade Options – GIB Quiet Zone® options offering greater sound reduction are available. Please contact the GIB® Project Support Team on 0800 442 4663 or refer to the GIB® Noise Control Systems book.

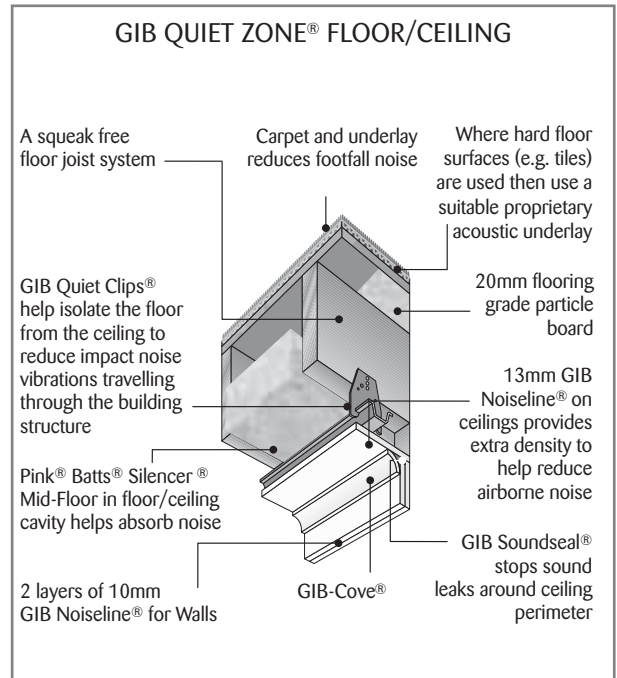
Use Soft Insulating mountings for appliances – eg. dishwasher, washing machine etc to isolate vibrations and transmission of noise through the walls.

Locate Noisy appliances on external walls – Don't locate noisy appliances (eg. driers, washing machines, dishwashers) on internal walls where possible.

Piping – Don't run toilet waste pipes next to sensitive areas. Do isolate and insulate pipework from the building structure.

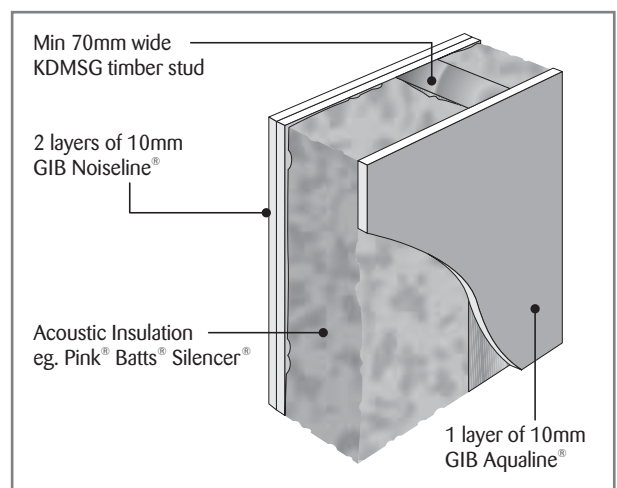
Reducing upstairs noise with hard flooring surfaces – Use a suitable proprietary acoustic flooring underlay as part of a GIB Quiet Zone® Floor/Ceiling where a hard flooring finish (eg. tiles, vinyl or timber strip) is used on the upper level over a GIB Quiet Zone®.

If you require more technical details and/or installation information please request a "GIB® Noise Control Systems" book or "GIB® Site Guide". You can request these by contacting the GIB® Project Support Team on Freephone 0800 442 4663, Freefax 0800 229 222, E-mail: projectsupport@gib.co.nz, or you can request at www.gib.co.nz.



COMBINING GIB QUIET ZONES® WITH OTHER ZONES

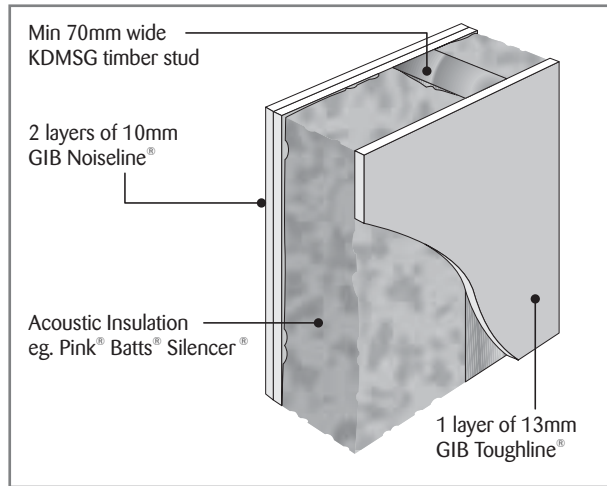
DRY/QUIET COMBINATION



In 'wet areas' such as kitchens, bathrooms, toilets and laundries, it is important to use GIB Aqualine® as the lining material for walls and ceilings. If a GIB Quiet Zone® is desired in these areas, the most practical option is to place two layers of GIB Noiseline® on the outside of the GIB Dry Zone® and maintain a single layer of GIB Aqualine® in the GIB Dry Zone® area.

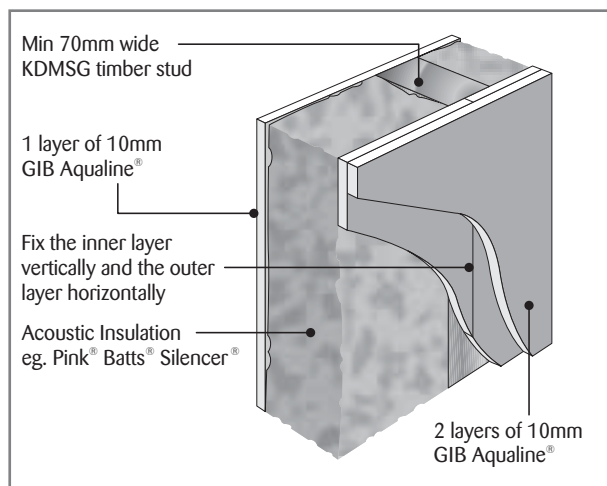
The substitution of GIB Aqualine® for GIB Noiseline® will reduce the performance of the wall by 1-2 STC points. Use an acoustically tested insulation material such as Pink® Batts® Silencer®.

TOUGH/QUIET COMBINATION



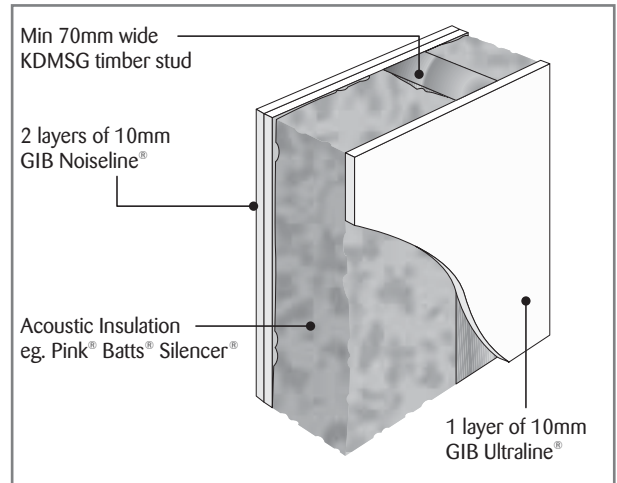
In areas where a GIB Tough Zone® and a GIB Quiet Zone® are to be combined, GIB Toughline® will deliver the same STC performance as GIB Noiseline®.

DRY/DRY & QUIET COMBINATION



GIB Quiet Zones® can be installed between wet area rooms such as bathrooms backing on to kitchens by utilising a three layer GIB Aqualine® system. The substitution of GIB Aqualine® for GIB Noiseline® will reduce the performance of the wall by 1-2 STC points.

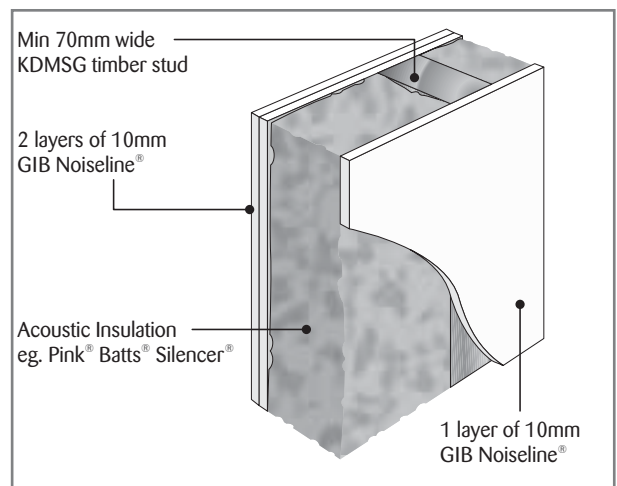
GIB ULTRALINE® FINISH/ QUIET COMBINATION



The substitution of GIB Ultraline® for GIB Noiseline® will reduce the performance of the wall by 1-2 STC points.

FIREGUARD/QUIET COMBINATION

In areas where a GIB Fireguard Zone® and a GIB Quiet



Zone® are to be combined replace the GIB Fyreline® with GIB Noiseline®. This will provide added noise control but will not detrimentally affect the fire rating. The GIB Noiseline® must be fixed strictly as per GIB Fyreline® installation details. ie. mechanically fastened, no adhesive fixing and solid timber behind all joints.